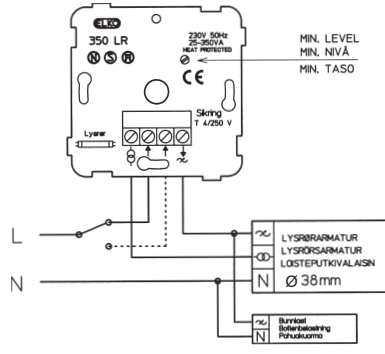
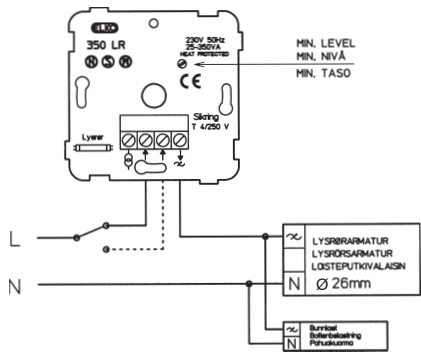
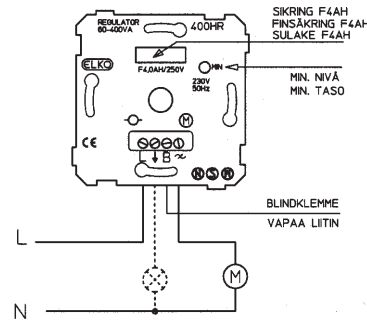


RS16/350 LR



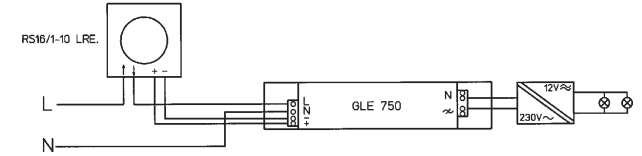
RS16/400 HR



RS16/GLE 750

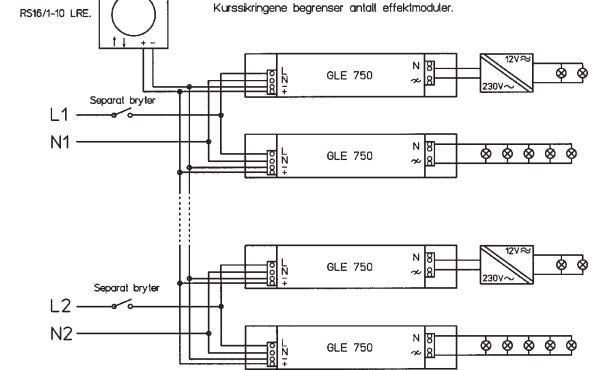
KOBLINGSEKSEMPEL FOR GLE 750.

Max 1 effektmødel kan mates fra bryter i regulator RS16/1-10 LRE.

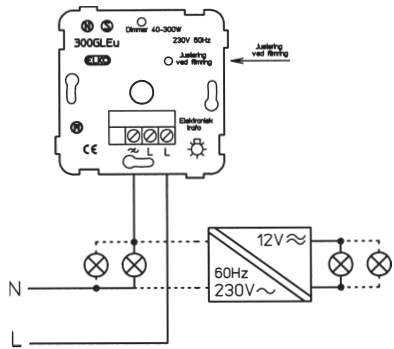


KOBLINGSEKSEMPEL FOR GLE 750.

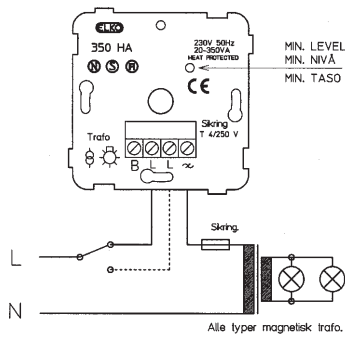
Effektmødelene kan mates fra forskjellige kurser og samtidig styres fra samme regulator. Kursskiringene begrenser antall effektmødel.



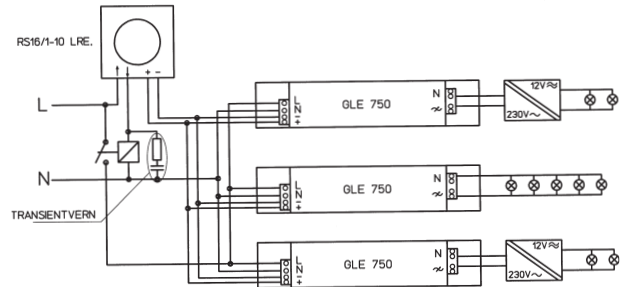
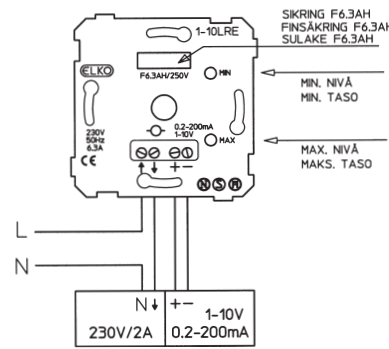
RS16/300GLE u 60 Hz



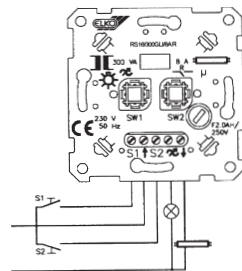
RS16/350 HA



RS16/1-10LRE

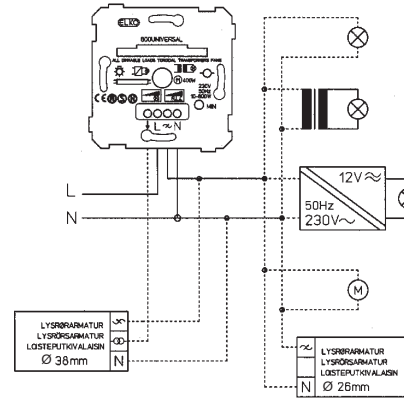


RS16/300 GLI/8A R



NB! Det må alltid være belastning på dimmerutgangen

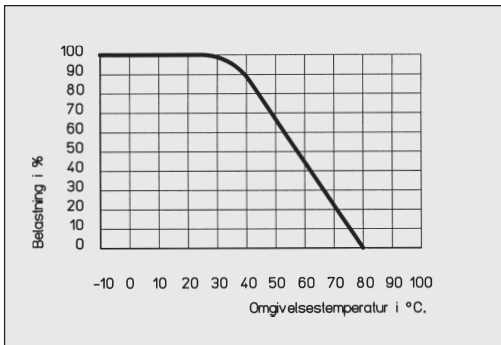
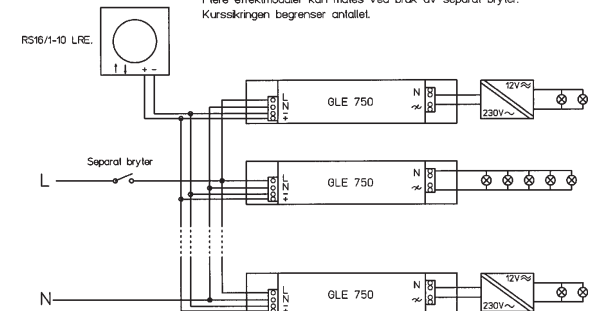
600 Universal



NB! Kan regulere alle last-typer samtidig.

KOBLINGSEKSEMPEL FOR GLE 750.

Flere effektmødel kan mates ved bruk av separat bryter. Kursskiring begrenser antallet.



NB! Oppgitte effekter gjelder ved omgivelsestemperatur 25 °C. Ved høyere omgivelsestemperaturer må belastningen reduseres. Dersom 2 eller flere dimmere monteres i samme boks, eller over hverandre, må belastningen på hver dimmer reduseres.

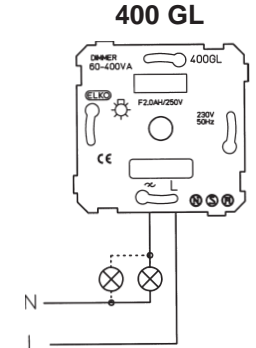
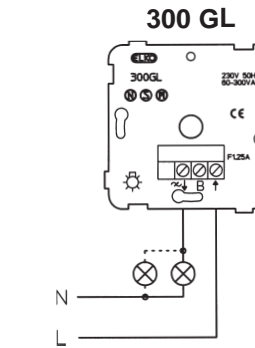
User guide: Dimmers

Load diagram:

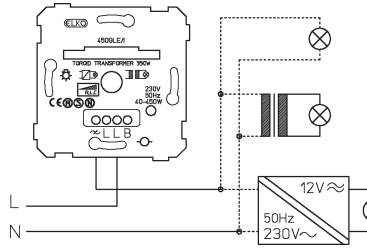
Product	ELKO catalogue number	Type	Switch pattern	Fuse type	Ohmic load	230V Halogen lamps	Electronic transformer	Magnetic/ ironcore transformer	Fluorescent lamp		Fan speed	Special info
									Electronic ballast tube: Ø 26mm/TC	40W Ø 38mm**		
GL200	4770	Triac	#1	F 0,8A	25-180W							Cord type
300GL	3180	Triac	#1 turn	F1,25A	60-300W 50-60Hz							
400GL	6218	Triac	#1 push	F2A	60-400W							
315GLE	6228	Transistor	#6 push	Electronic	40-315W	40-300W	40-315VA					Soft start
630GLE	6229	Transistor	#6 push	Electronic	40-630W	40-600W	40-630VA					Soft start
1000GLE	3486	Transistor	#6 push	Electronic	40-1000W	40-900W	40-1000VA					Soft start
450GLE/I	3487	Transistor	#6 push	Electronic	40-450W	40-400W	40-450VA	40-450VA 40-350VA Ringcore				Soft start 1) see wire diagr.
600GLE/I	3488	Transistor	#6 push	Electronic	40-600W	40-550W	40-600VA	40-600VA 40-500VA Ringcore				Soft start 1) see wire diagr.
600 Universal	3489	Transistor	#1 push	Electronic	20-600W	20-550W	20-600VA	20-600VA	20-550VA cos ϕ 0,95	2,5A	20-400VA	Soft start 1) see wire diagr.
300GLEu 60Hz	3177	Transistor	#6 push	Electronic	40-300W 60Hz	40-250W 60Hz	40-300VA 60Hz					60Hz Soft start Ring core E-core
350HA	3178	Triac	#6 push	T4A	20-350W 50-60Hz	20-300W	50-60Hz	20-315VA Ring core			20-300VA	
350LR	3179	Triac	#6 push	F2A	25-350W 50-60Hz	25-250W			8x36W**, 16x18W** 5x58W**, 9x24W**	3**		
1000LRI	6655	Triac	#1 push Electronic	Electronic	40-1000W	40-900W		60-900VA	26x36W**, 54x18W** 16x58W**, 26x24W**	10**	60-600VA	Soft start
400HR	6221	Triac	#1 turn	F4A	60-400W						60-400VA	Rotary switch
GLE750	6578	Transistor	Electronic	Electronic	60-750W	60-500W	60-750VA					Soft start
300GLI 8AR	6599	Triac Triac/Relay	2 x #1 push Electronic	F2A -	60-300W Switch 8A	60-150W Switch 6A	Switch 8A	60-300VA Switch 8A	Switch 8A	Switch 8A		Soft start Spark free
1-10LRE	6222	Mechanical Transistor	#1 push	F6,3A -	6A 1-200mA		Switch 2A		Switch 2A			Switch 1-10V
400GLI T	3181	Triac	Push Electronic	F4A	40-400W	40-300W		40-400VA				Soft start
GLI BB T	3182	Switch	Push	F2A	Slave unit			Slave unit				
DTR105	3183	Transistor dimmer/transformer	Separate push switch	Electronic			12V 35-105W					Soft start Flush type
STR105	3184	Transistor slave trafo	Slave	Electronic			12V 35-105W					Soft start Flush type
DTR200	3185	Transistor dimmer/transformer	Separate push switch	Electronic			12V 50-200W					Soft start Flush type
STR200	3186	Transistor slave trafo	Slave	Electronic			12V 50-200W					Soft start Flush type

** Separate «dimmer load» must be connected in parallel.

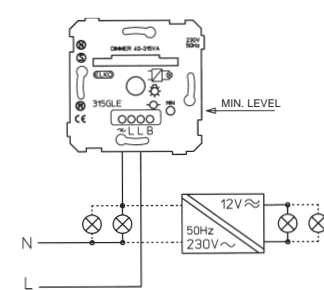
Wire diagrams:



450 GLE/I / 600GLE/I

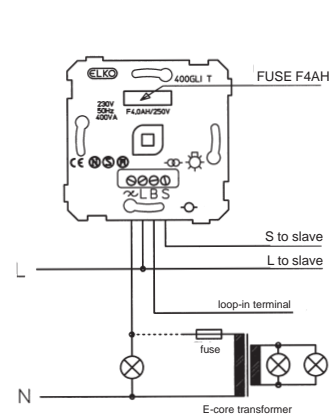


315 GLE / 630 GLE / 1000GLE

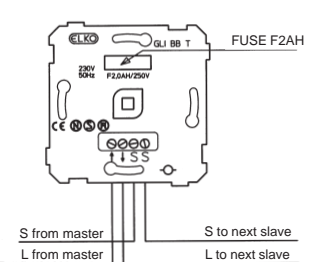


1) Note: Never mix magnetic and electronic transformers.

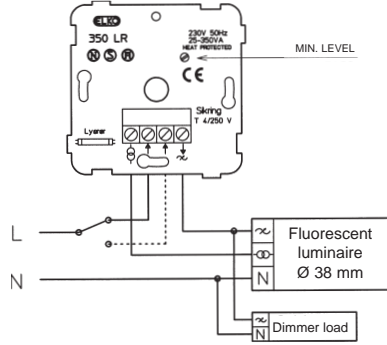
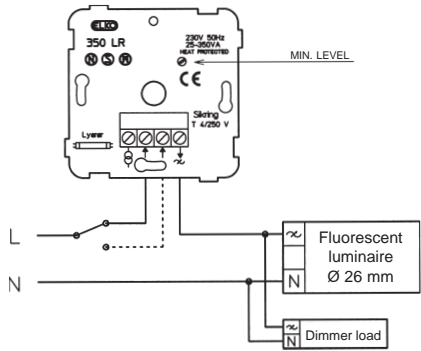
400 GLI T



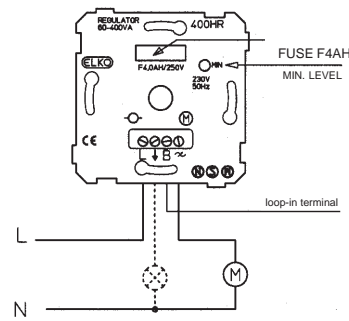
GLI BBT



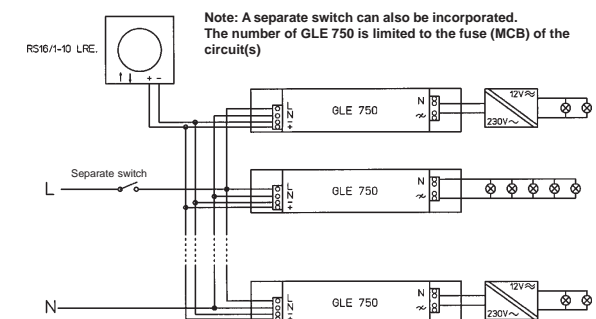
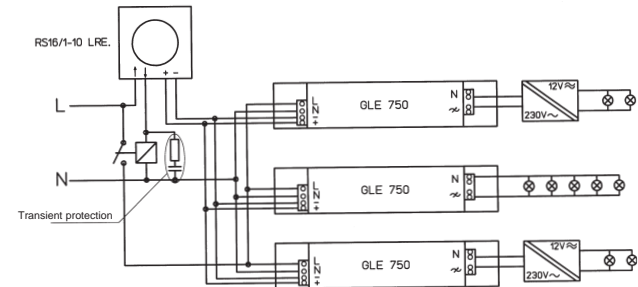
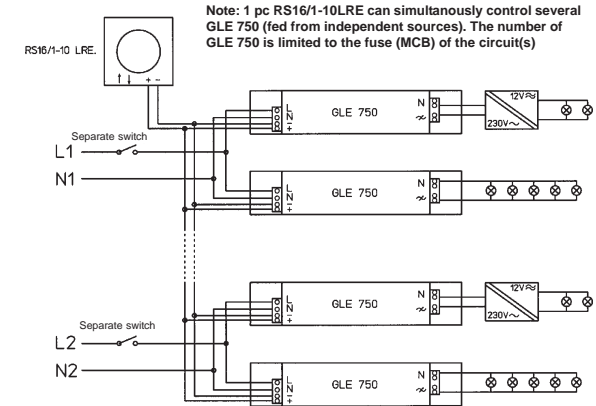
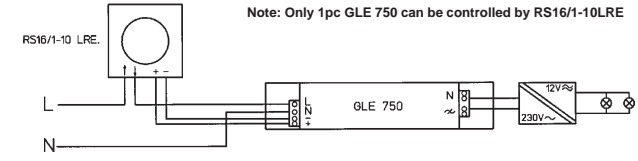
RS16/350 LR



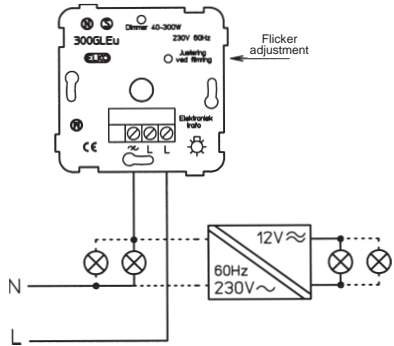
RS16/400 HR



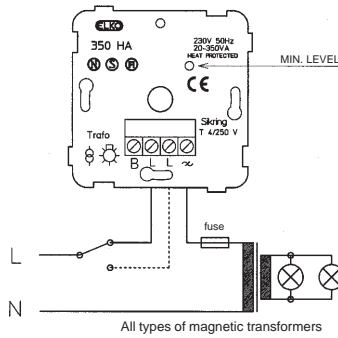
RS16/GLE 750 (VARIOUS EXAMPLES OF WIRE DIAGRAMS)



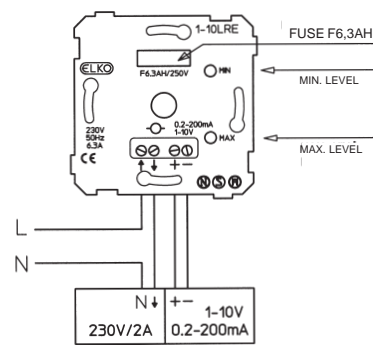
RS16/300GLE u 60 Hz



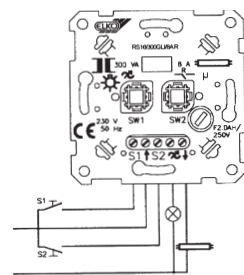
RS16/350 HA



RS16/1-10LRE

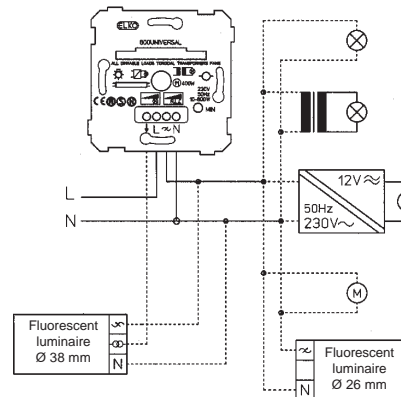


RS16/300 GLI/8A R

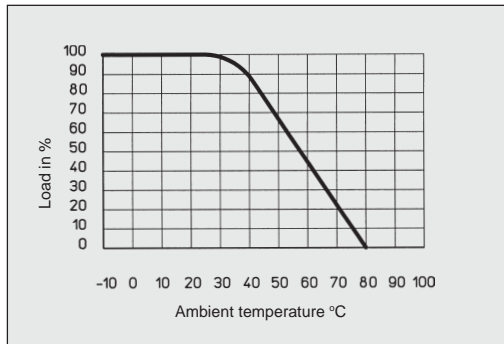


Note: dimmer terminals shall always be «loaded»

600 Universal



Note: Dimmer controls all types of load.



Note: all given power loads are valid for dimmers working at ambient temperatures of max. 25 °C. At higher temperatures the load must be reduced.

When 2 or more dimmers are mounted in the same box or above each other, the load on each dimmer must be reduced.